

BrackIT[®] XS-II

Full motion wall mount

The BrackIT[®] XS-II is a full motion wall mount for a screen with a size from 24" up to 32" (61 - 81 cm).

The VESA mount covers the universal VESA standards 75 x 75 mm and 100 x 100 mm and allows the screen to be mounted either in landscape or portrait orientation.

The screen tilt can be adjusted between -5° and +12° during installation.

The wall distance can be adjusted between a minimum of 63 mm and a maximum of 341 mm thanks to the swivel joint.

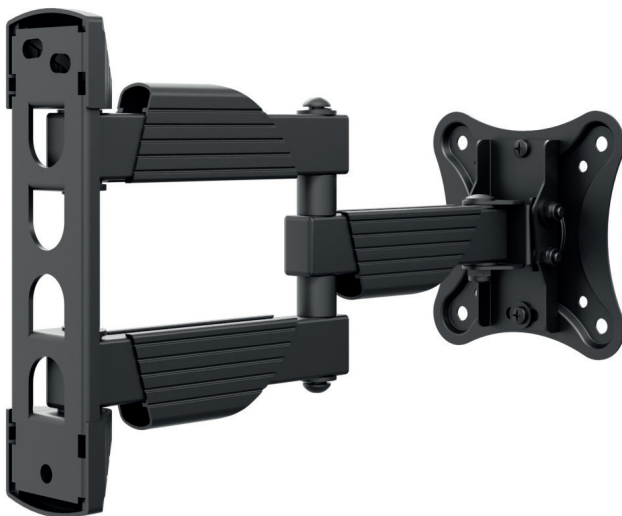
Item no.: 8425

In addition, the holder can be swiveled by $\pm 90^\circ$. The exact angle depends on the width of the mounted screen.

The cabling is held together by a cable clip.

The maximum load capacity is 25 kg.

The surfaces are protected by a solvent free, impact and scratch resistant powder coating in black.



BrackIT[®] XS-II

Full motion wall mount

Item no.: 8425

- Full motion wall mount
- 24 - 32" | 61 - 81 cm
- Landscape | Portrait
- VESA, min. 75 x 75 mm - max. 100 x 100 mm
- Variable distance to wall, min. 63 mm - max. 341 mm
- - 5° / +12° tiltable
- ± 90° swivelling (depending on screen width)
- Cable routing with cable clips
- 25 kg load, max.
- Solvent free, scratch and impact resistant powder coating
- Colour: black

